

MANHOLE COVER LIQUID LEVEL
SENSOR MONITORING SYSTEM

John A. Pasko / TEC1238-01

Sheet 1 of 13

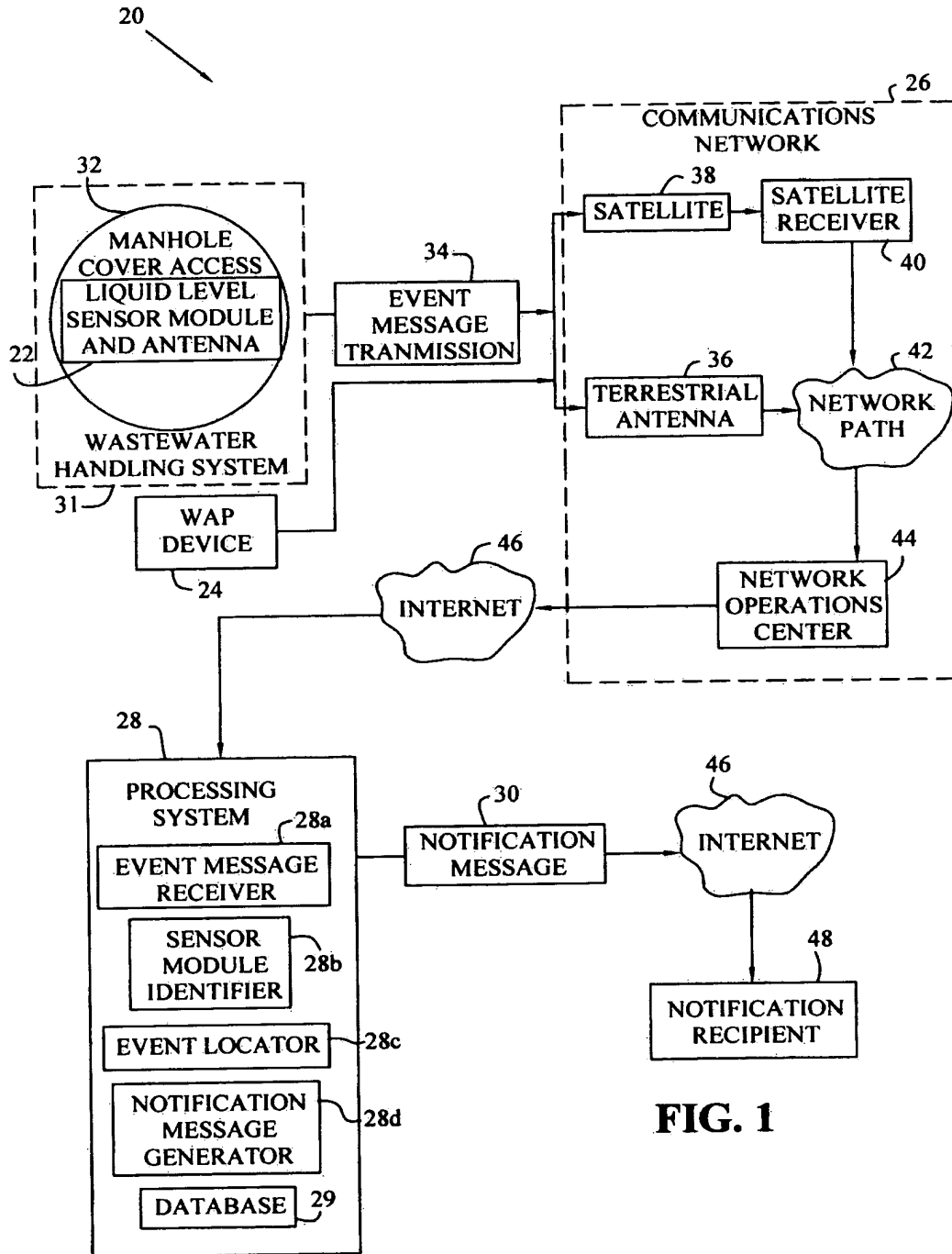


FIG. 1

MANHOLE COVER LIQUID LEVEL
SENSOR MONITORING SYSTEM

John A. Pasko / TEC1238-01

Sheet 2 of 13

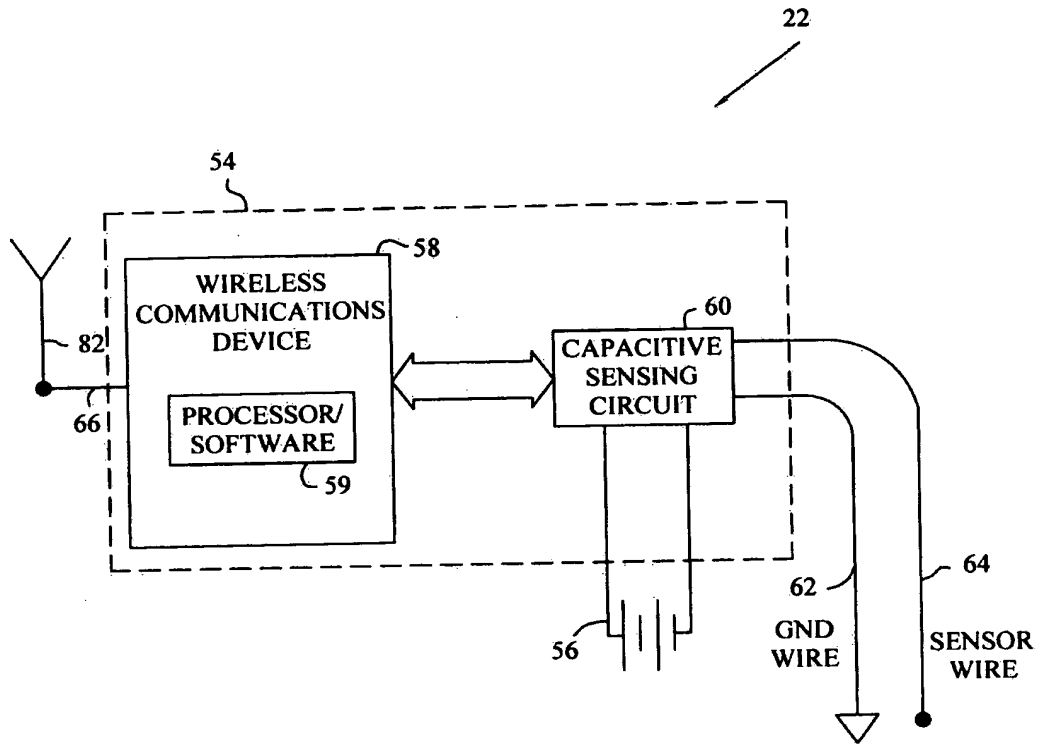
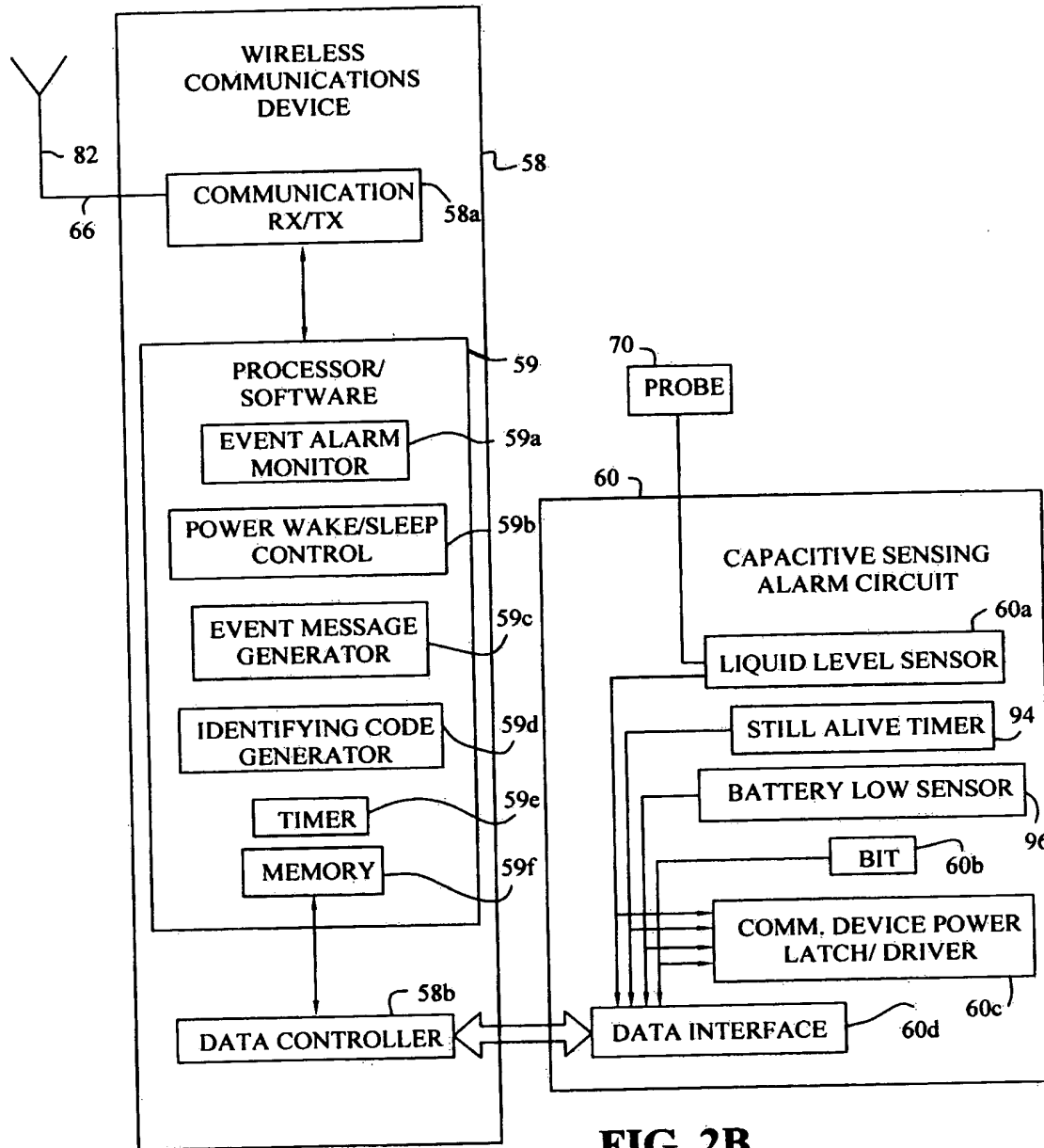


FIG. 2A

MANHOLE COVER LIQUID LEVEL
SENSOR MONITORING SYSTEM

John A. Pasko / TEC1238-01

Sheet 3 of 13



MANHOLE COVER LIQUID LEVEL
SENSOR MONITORING SYSTEM

John A. Pasko / TEC1238-01

Sheet 4 of 13

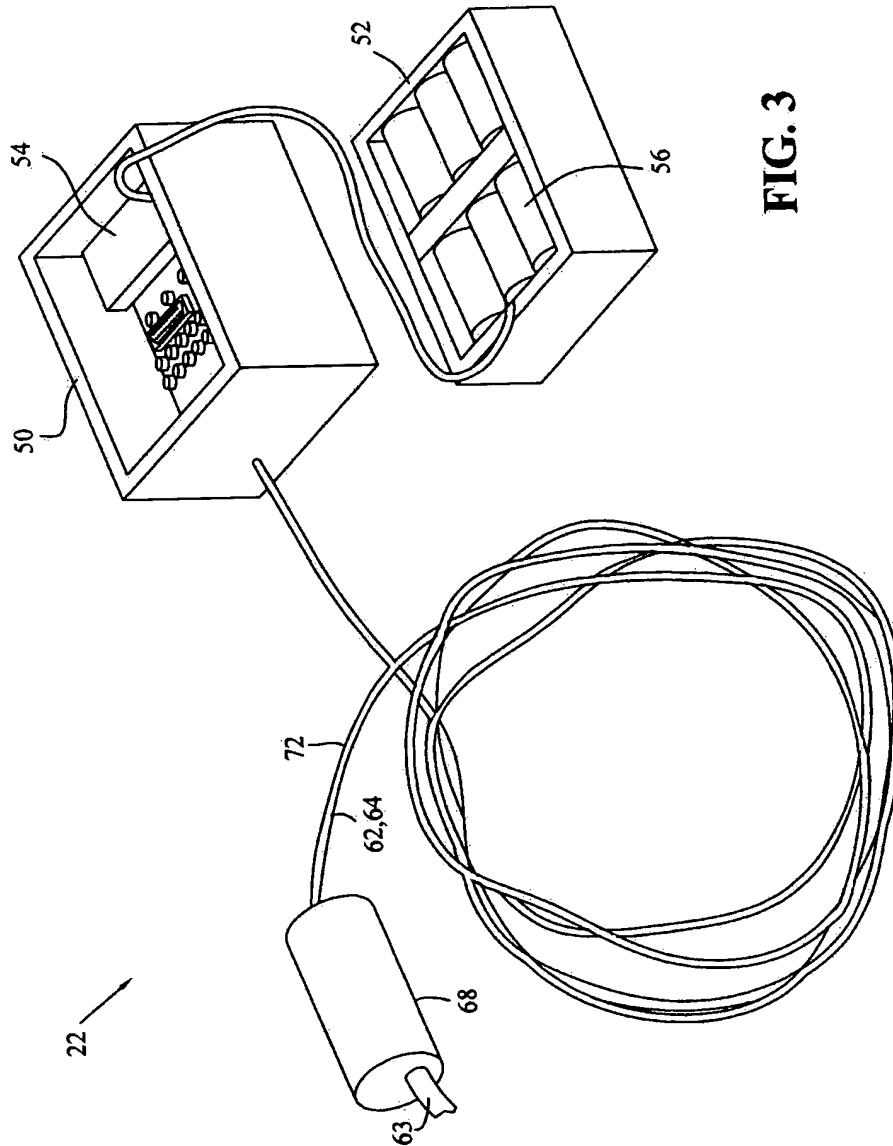


FIG. 3

MANHOLE COVER LIQUID LEVEL
SENSOR MONITORING SYSTEM
John A. Pasko / TEC1238-01
Sheet 5 of 13

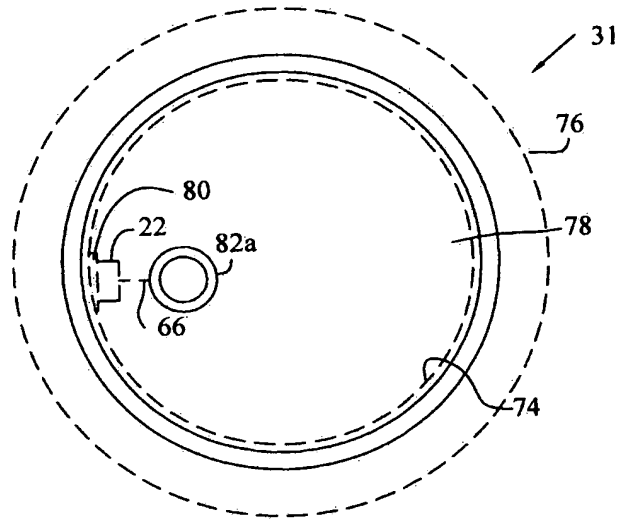


FIG. 4A

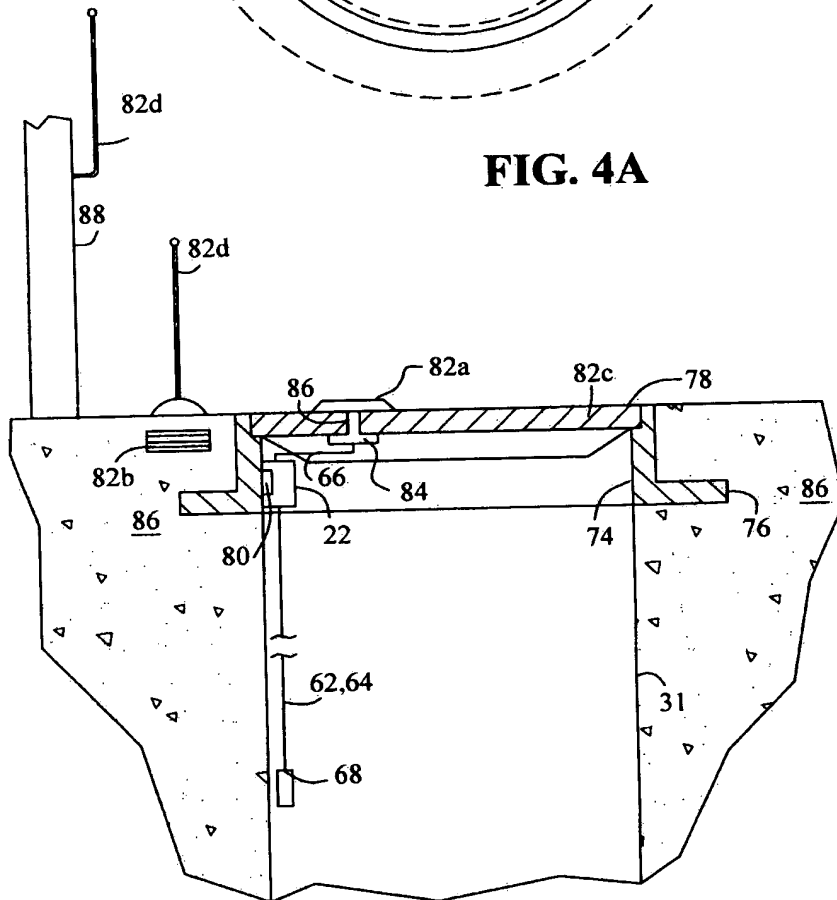


FIG. 4B

MANHOLE COVER LIQUID LEVEL SENSOR MONITORING SYSTEM

John A. Pasko / TEC1238-01

Sheet 6 of 13

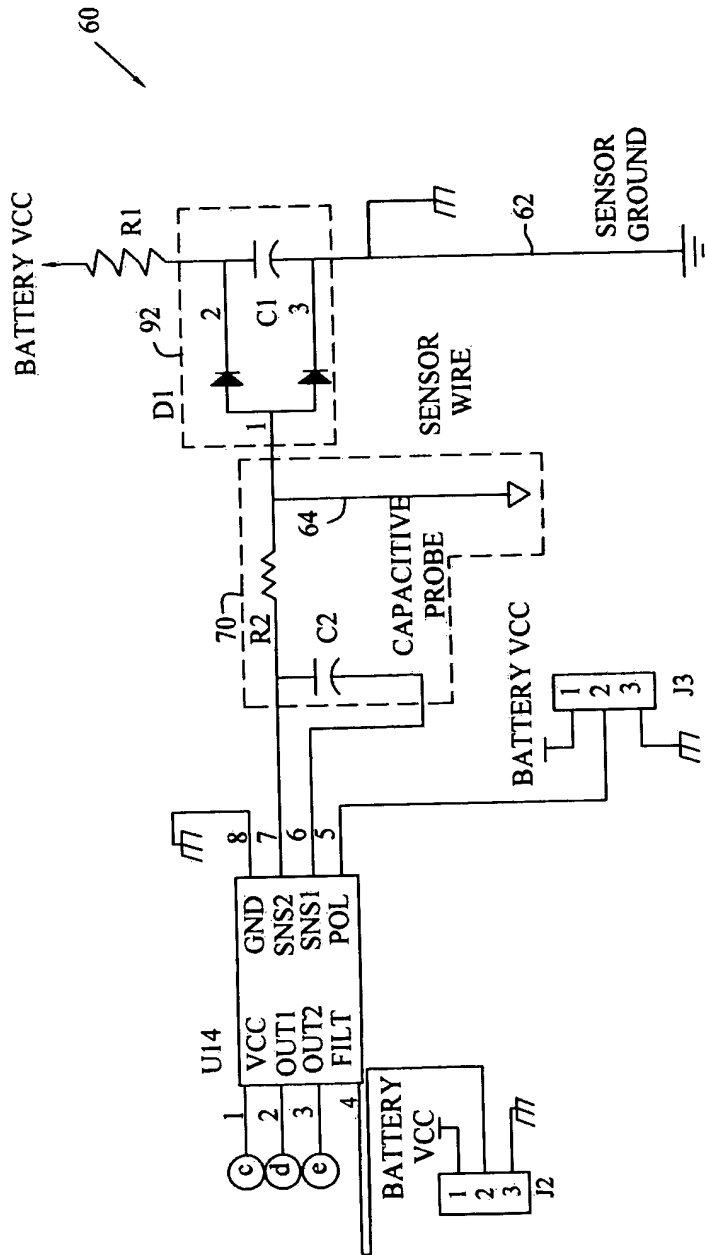


FIG. 5A

MANHOLE COVER LIQUID LEVEL SENSOR MONITORING SYSTEM

John A. Pasko / TEC1238-01

Sheet 7 of 13

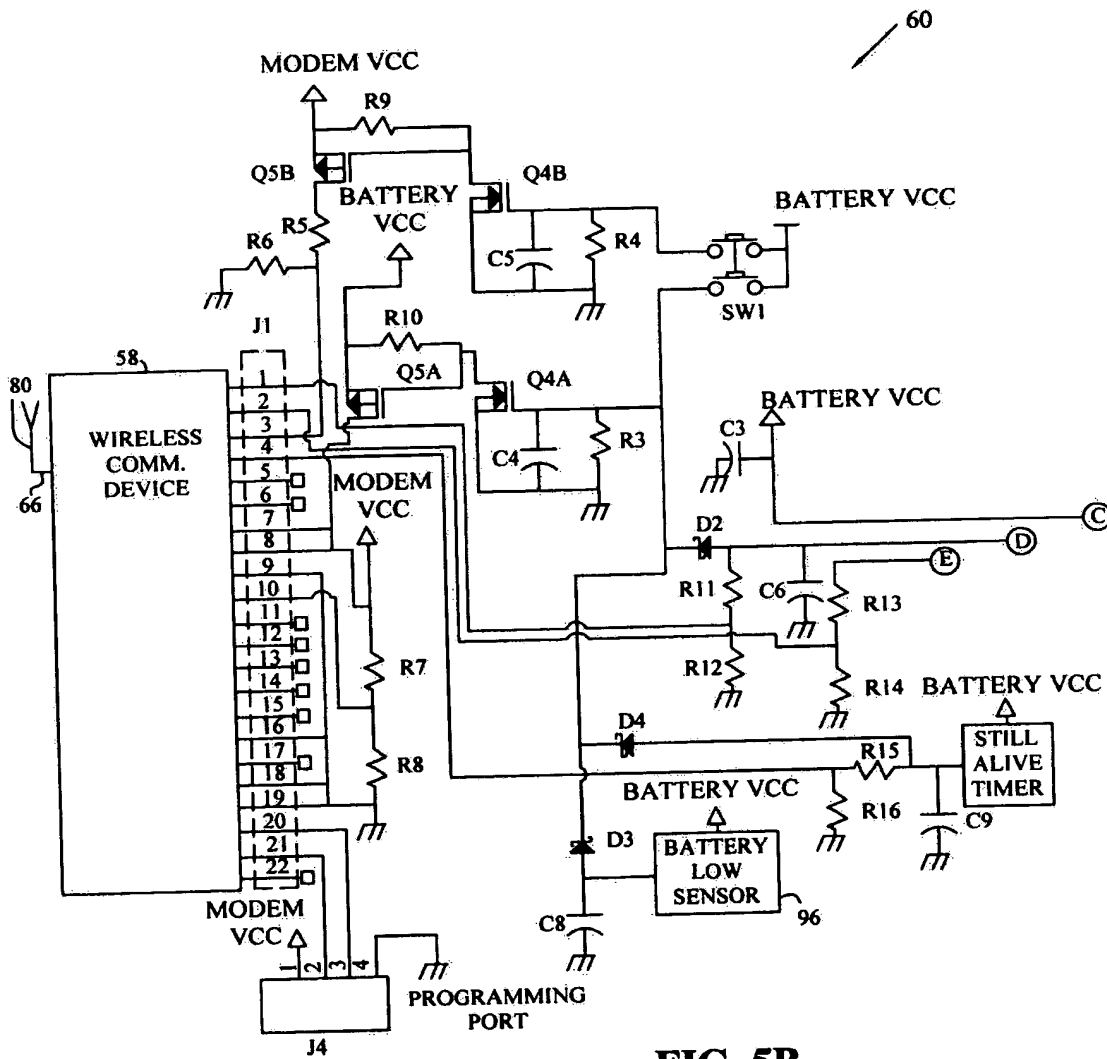


FIG. 5B

MANHOLE COVER LIQUID LEVEL
SENSOR MONITORING SYSTEM

John A. Pasko / TEC1238-01

Sheet 8 of 13

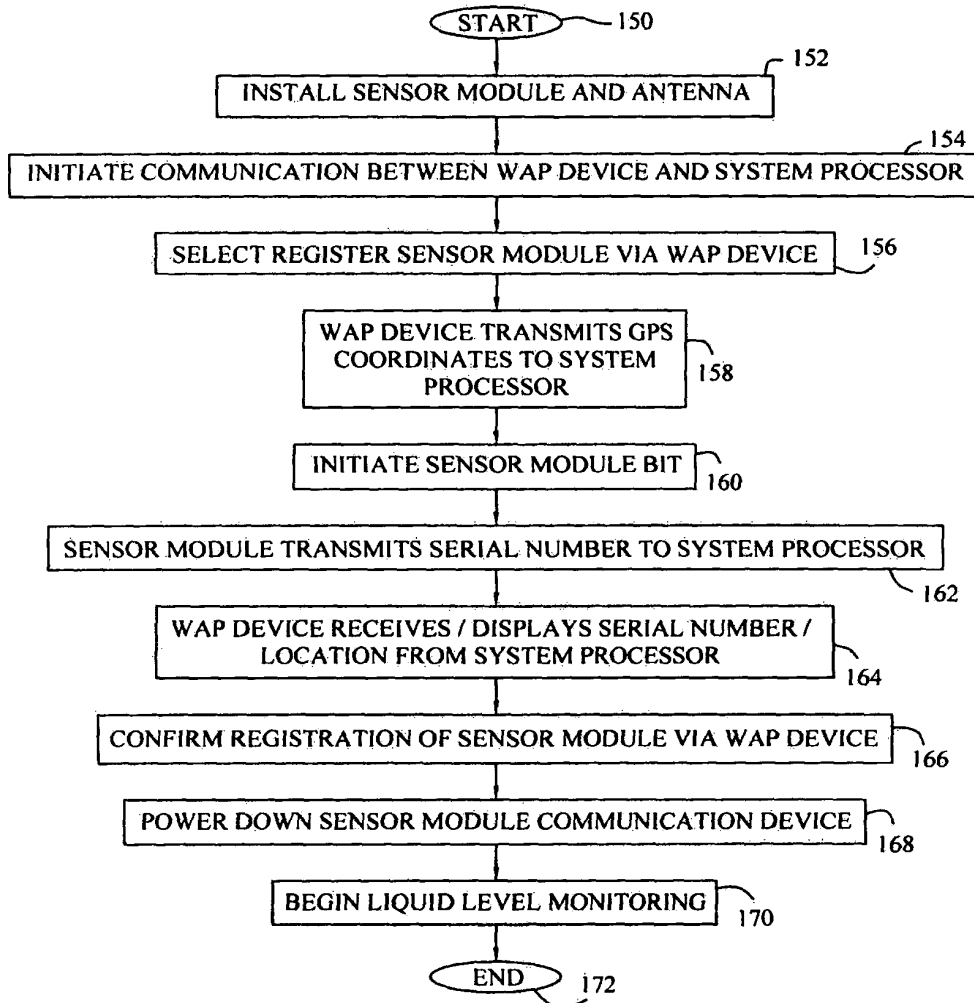


FIG. 6

MANHOLE COVER LIQUID LEVEL
SENSOR MONITORING SYSTEM

John A. Pasko / TEC1238-01

Sheet 9 of 13

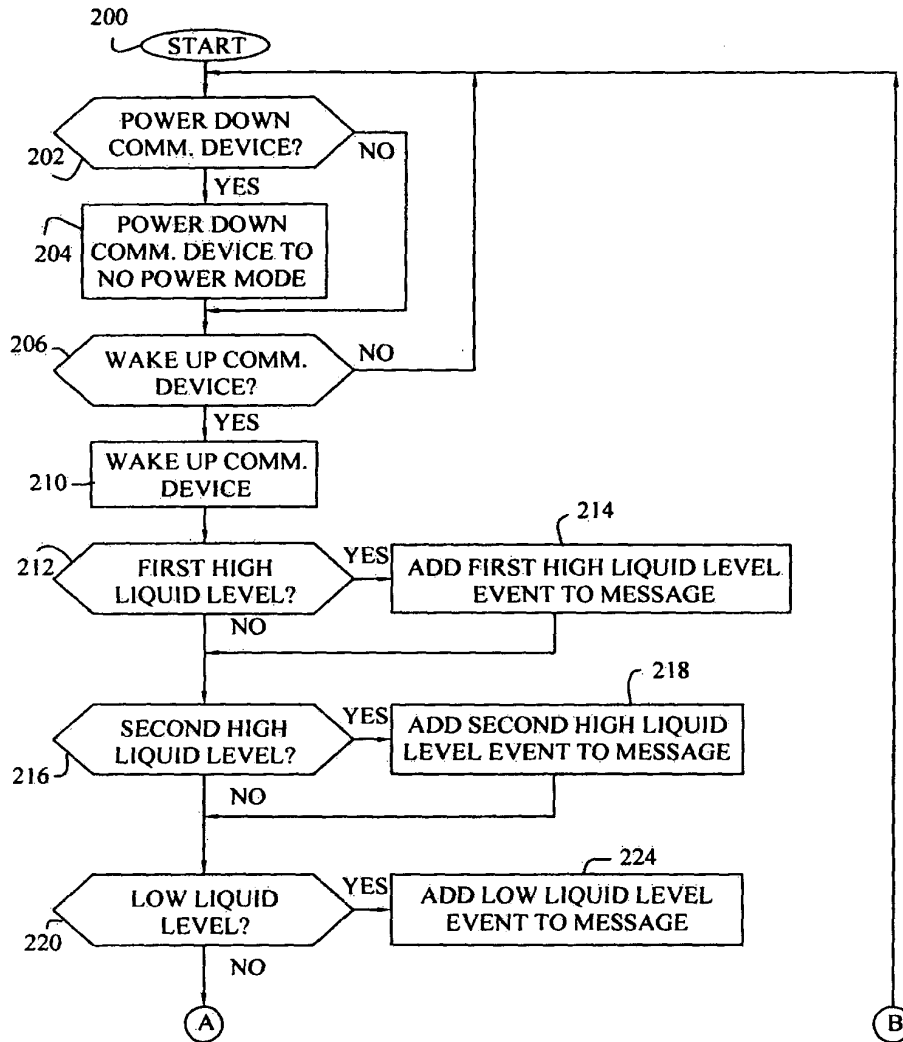


FIG. 7A

MANHOLE COVER LIQUID LEVEL
SENSOR MONITORING SYSTEM

John A. Pasko / TEC1238-01

Sheet 10 of 13

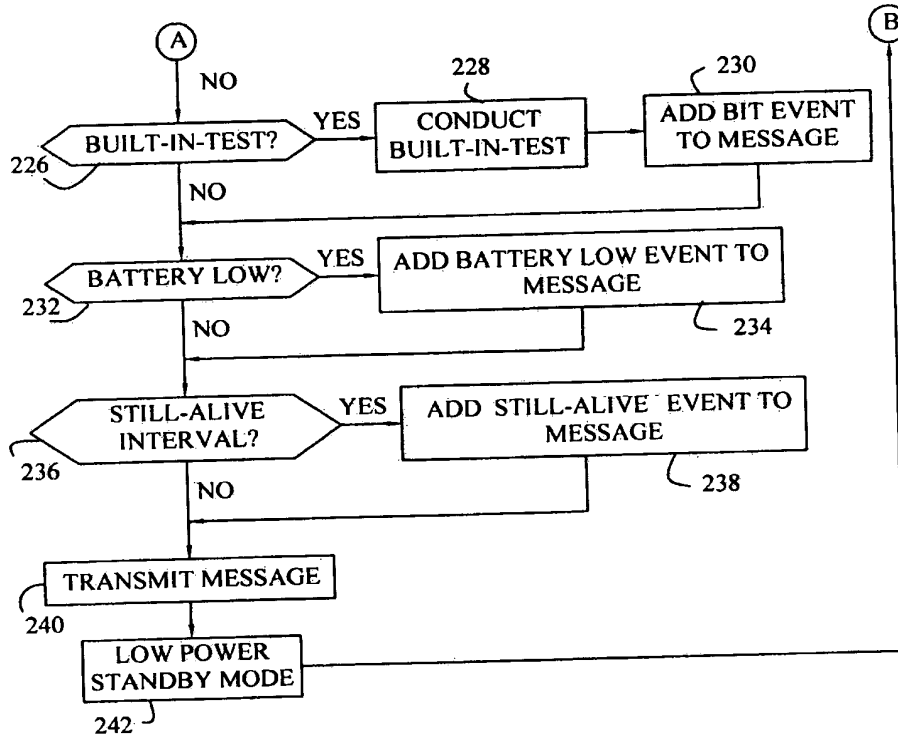


FIG. 7B

MANHOLE COVER LIQUID LEVEL
 SENSOR MONITORING SYSTEM
 John A. Pasko / TEC1238-01
 Sheet 11 of 13

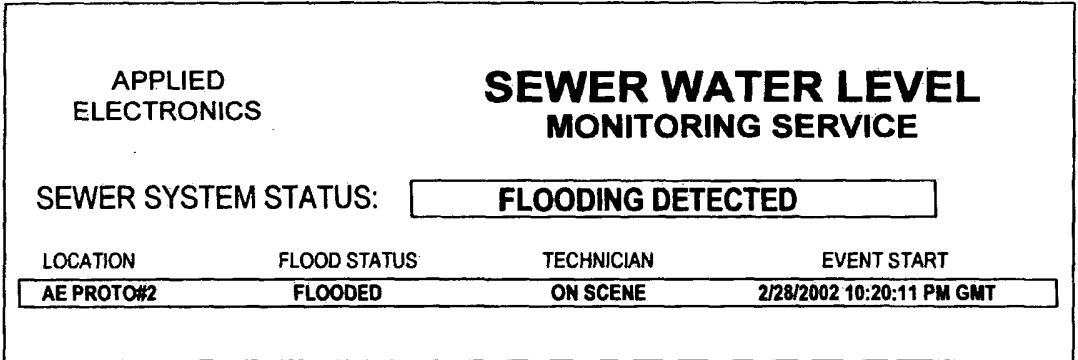


FIG. 8

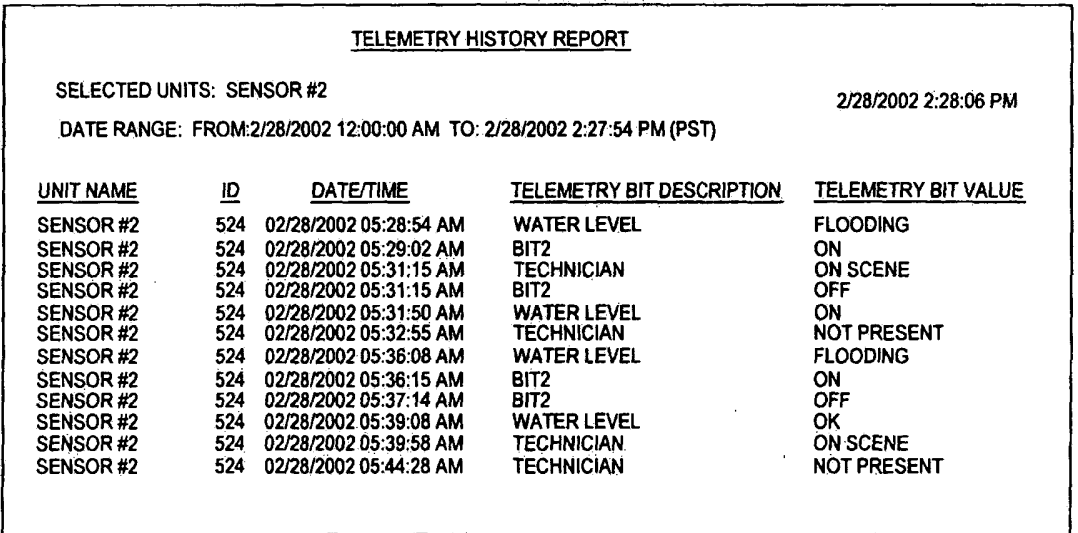


FIG. 9

MANHOLE COVER LIQUID LEVEL
SENSOR MONITORING SYSTEM

John A. Pasko / TEC1238-01

Sheet 12 of 13

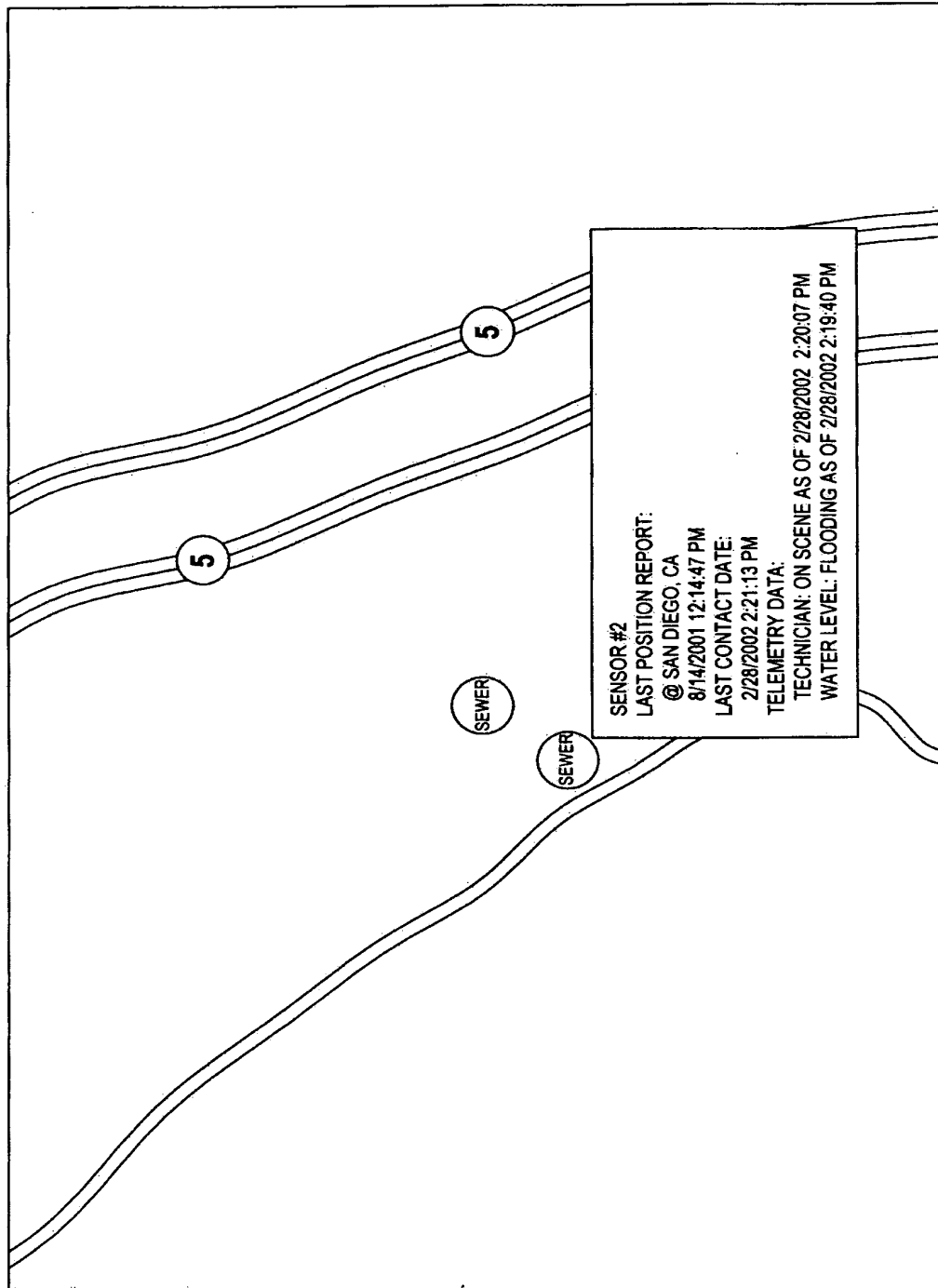


FIG. 10

MANHOLE COVER LIQUID LEVEL
SENSOR MONITORING SYSTEM

John A. Pasko / TEC1238-01

Sheet 13 of 13

TRAVEL INSTRUCTIONS

PROCEED TO INCIDENT 524 VIA:

TURN LEFT ON COUNTRYHAVEN ROAD

DRIVE 0.4 MILE(S) ~ MAKE SHARP RIGHT PARK DALE LANE

DRIVE 0.1 MILE(S) ~ TURN LEFT ON VLGE PARK WAY (VILLAGE PARK WAY

DRIVE 0.2 MILE(S) ~ TURN RIGTH ON ENCINITAS BLVD (COUNTY HWY S9)

DRIVE 2.4 MILE(S) ~ 4 MINUTE(S)

TAKE RAMP AND GO SOUTH ON I 5 (SAN DIEGO FWY)

DRIVE 10.4 MILE(S) ~ 11 MINUTE(S)

ARRIVE SENSOR #2

FIG. 11